

THE TECHCON TS8100
PROGRESSIVE CAVITY PUMP
**99% Dispensing Accuracy
Is Within Your Reach**

[Request a Demo](#)



Unmatched precision for your most

If you're looking for the highest level of dispensing accuracy possible, the answer is here. It delivers proven accuracy averaging 99% with a wide range of flow valves, time/pressure valves or any other kind of dispensing mechanism or precision in applications including under filling PCBA components, applying encapsulation and potting efforts of all kinds.

[Request a Demo](#)



Why Machine Integrators Use the TS8100

Operates Continuously

The TS8100 is a volumetric dispensing pump designed with Progressive Cavity technology, and is fed by a reservoir. With each dispense, the precise amount of material is supplied under positive pressure to a series of rotors and stators, so it operates continuously, with no need to waste time stopping production to refill the fluid.

No Fluctuations In Viscosity

Other types of pumps are at the mercy of ambient temperature and moisture, which cause fluctuations in fluid viscosity that can ruin your results and create waste and quality issues. Not the PC Pump. It is a closed, air-tight system, and so it is impervious to the environmental changes that can impact dispense volume.

Delivers A Wide Range Of Fluids

The TS8100 is the answer for a wide range of fluids, from low viscosity coatings to high viscosity greases rating 300,000 centipoise or more—even abrasive materials—all at an average of up to 99% repeatable accuracy. No drips, no excess, no overflow.

Won't Damage Fluids

Some valves feature metal screws in metal chambers that create crushing motions that are notoriously rough on soft solids like solder or silver filler, flattening them and changing their shape. In a PC Pump, the rotor is flexible rubber and continuously moving, so there is little percussive impact on even the softest fluxes and fillers.

Easy To Clean and Maintain

For those used to operating many other types of valves, PC Pumps can be a breeze, with more stable operation and fewer small components to deal with. Techcon innovation improves this user friendly design even further, with an easy access design that makes cleaning and maintenance necessities even faster and easier.

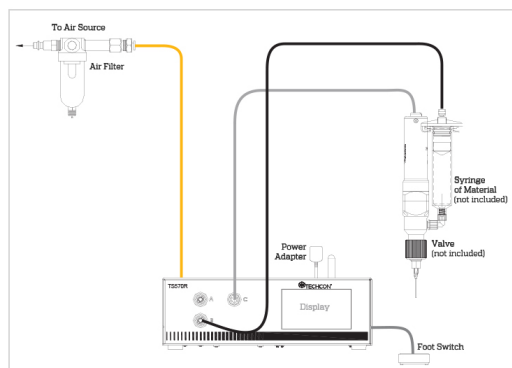
Maximum Control In Your Hands

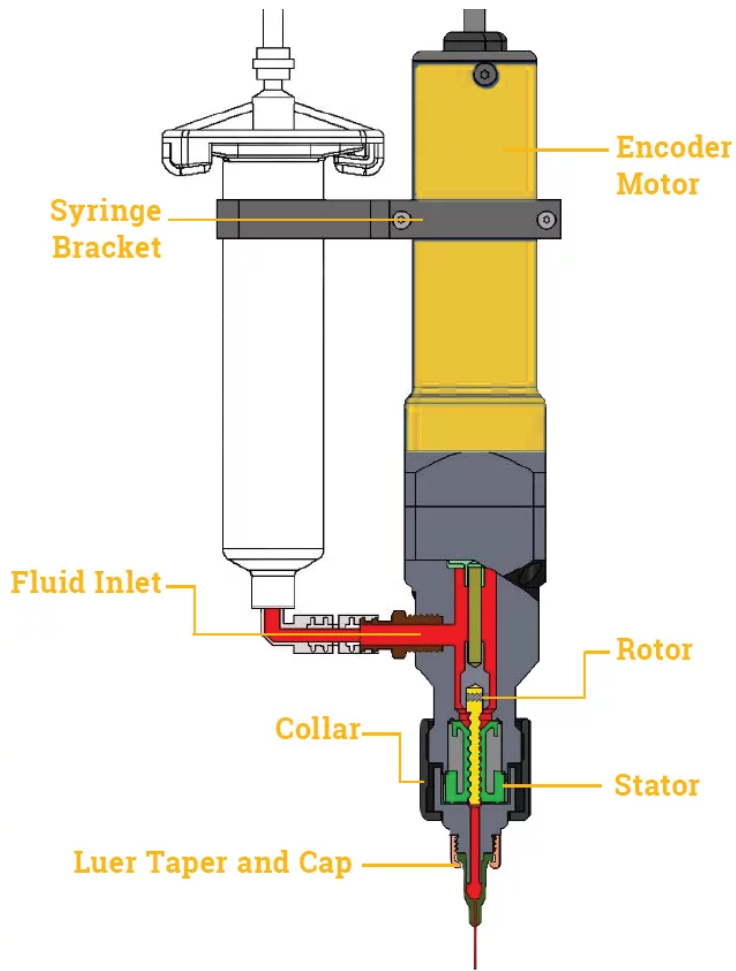
Every PC Pump needs a controller, but only the Techcon TS8100 PC Pump gives you one that is graphical and touch screen based, making set-up and change-overs fast and easy. And Techcon innovation lets you effortlessly fine-tune parameters remotely.

Read Blog

Read Article

Techcon's PC Pump uses a special stator and rotor design to provide accurate and consistent dispensing output. The pump can dispense a wide range of fluids, from low viscosity coatings to high viscosity greases. The TS8100 comes standard with a syringe bracket, mounting bracket kit, luer lock fitting, cleaning kit and dispensing tip section pack.





[Download Product Data Sheet](#)

Description	Applications	Setup & Parts	Technical Specifications
-------------	--------------	---------------	--------------------------

Resources

The new TS8100-100 PC Pump is a continuously volumetric pump volumetric

dispense designed based on Progressive Cavity (PC) technology. The pump can accurately dispense a wide range of fluids, from low viscosity coatings to high viscosity greases.

Techcon's PC Pump uses a special stator and rotor design to provide accurate and consistent dispensing output. The pump can dispense a wide range of fluids, from low viscosity coatings to high viscosity greases.

The turning rotor on the TS8100 moves the fluid in tightly sealed cavities through the stator's fluid chambers to create a volumetric fluid flow that does not change the shape or size of the fluid. Due to the PC pump's unique dispensing technology, accuracy and repeatability of ± 1 percent is achievable.

The TS8100 comes standard with a syringe bracket, mounting bracket kit, luer lock fitting, cleaning kit and dispensing tip selection pack.

Features:

- Volumetric, positive displacement
- Accurate and repeatable up to $\pm 1\%$
- No dripping with any viscosity fluid
- Compatible with abrasive materials
- Does not damage or break fillers
- Easy to clean

Request a Demo

Request a demo below and a representative will reach out to you.

First name*

Last name*

Company name*

Job Title*

Email*

Country*

Please Select

I agree to receive other communications from Techcon.

You can unsubscribe from these communications at any time. For more information, please review our [Privacy Policy](#).



[View Page in Chinese](#)

China Corporate Office OK

International/ Techcon

4th floor East, The Electronic Building
Yanxiang Industrial Zone
High Tech Road, Guangming New District
Shenzhen, P.R.C

Tel: +86-755-2327 6366

Fax: +86-755-2329 5492

Email: china@okinternational.com

中国公司办公室 都福

都福（深圳）工业设备制造有限公司

中国深圳市光明新区高新路研祥科技工业园
电子厂房4楼东侧单元

电话: +86-755-2327 6366

传真: +86-755-2329 5492

电子邮件: china@okinternational.com